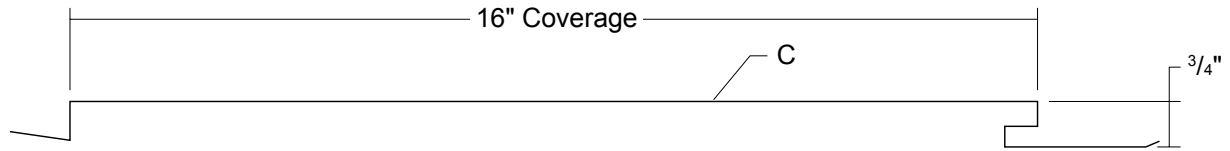


STONE CREEK

STONE-COATED STEEL WALL SYSTEMS

Condensed
Technical
Reference



ARCHITECTURAL
COMMERCIAL
PANEL

CONCEALED
FASTENERS

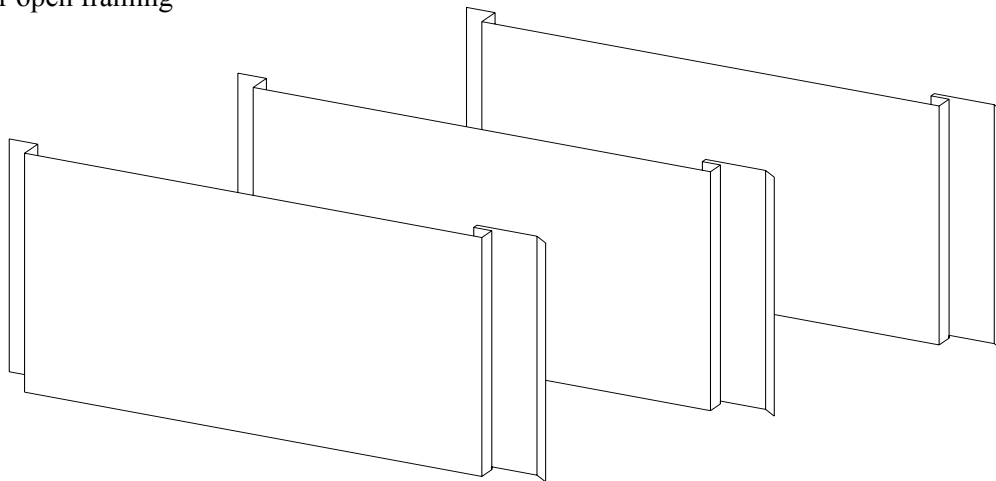
16"
COVERAGE

FASCIA OR
WALL
PANEL

OPEN FRAMING

PANEL OVERVIEW

- ▶ Finishes: Stone-Coated and Kynar (Embossed)
- ▶ Corrosion Protection: G90 per ASTM A 653 for Galvanized
- ▶ Gauge: 20ga
- ▶ 16" panel coverage, $\frac{3}{4}$ " panel depth
- ▶ Panel Length: Minimum: 14"; Maximum: 25'
- ▶ Concealed, direct-fastened system for wall or fascia applications
- ▶ Applies over open framing



TESTING

- ▶ ASTM E 283 Air Infiltration
- ▶ ASTM E 331 Water Resistance
- ▶ ASTM E 330 Structural Performance
- ▶ 2010 Florida Building Code Approval FL12906
- ▶ Miami-Dade County, Florida NOA 15-0915.13 and 15-0915.14 expires 2/7/2018

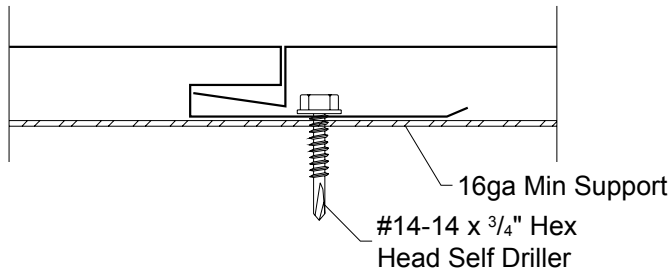
ms metal sales[™]
manufacturing corporation

STONE CREEK

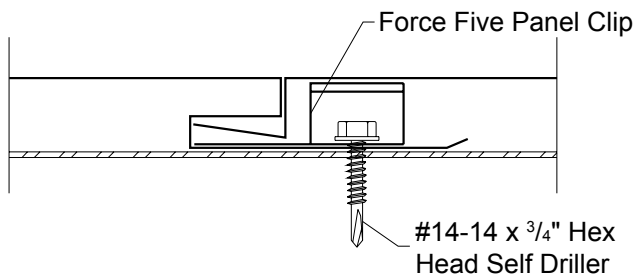
STONE-COATED STEEL WALL SYSTEMS

Condensed
Technical
Reference

SIDE LAP FASTENING DETAIL



CLIP INSTALLATION DETAIL



GENERAL INFORMATION

► Applications

Stone Creek panels may be applied horizontally or vertically. They are not recommended for roof applications.

► Substructure

Stone Creek panels are designed to be installed over open structural framing.

► Coverage

Stone Creek panels are available in a 3/4" depth with a 16" coverage.

► Length

Minimum factory cut length is 14". Maximum length is 25'-0".

► Fasteners

The fastener selection guide should be consulted for choosing the proper fastener for specific applications. Quantity an type of fastener must meet necessary loading and code requirements.

NOTE: All panels are subject to surface distortion due to improperly applied fasteners. Overdriven fasteners will cause stress and induce oil canning across the face of the panel at or near the point of attachment.

► Availability

Finishes: Stone Coated paint, and Kynar 500 colors (Embossed)
Gauges: 20ga

SECTION PROPERTIES

| Condition | Ga | Width in | Yield ksi | Weight psf | Top in Compression | | Bottom in Compression | | Inward Load | | | | | Outward Load | | | | |
|-----------|----|-------------|--------------|---------------|----------------------------|----------------------------|----------------------------|----------------------------|-------------|------|----|------|----|--------------|------|----|------|----|
| | | | | | Ixx in ⁴ /ft | Sxx in ³ /ft | Ixx in ⁴ /ft | Sxx in ³ /ft | 2' | 2.5' | 3' | 3.5' | 4' | 2' | 2.5' | 3' | 3.5' | 4' |
| | | | | | | | | | | | | | | | | | | |
| 1 | 20 | 16" | 50 | 1.99 | 0.0194 | 0.0428 | 0.0223 | 0.0314 | 65 | 65 | 65 | 65 | 50 | 33 | 33 | 33 | 33 | 33 |
| 2 | 20 | 16" | 50 | 1.99 | 0.0194 | 0.0428 | 0.0223 | 0.0314 | 65 | 65 | 65 | 65 | 57 | 61 | 61 | 61 | 61 | 61 |
| 3 | 20 | 16" | 50 | 1.99 | 0.0194 | 0.0428 | 0.0223 | 0.0314 | 120 | 109 | 97 | 86 | 75 | 120 | 109 | 97 | 86 | 75 |

Condition 1 is based on panels with no clips; Condition 2 is based on panels with clips at the supports; Condition 3 is based on panels with clips at the supports and mid span

- Theoretical section properties have been calculated per AISI 2001 "Specification for the Design of Cold-Formed Steel Structural Members." Ixx and Sxx are effective section properties for deflection and bending.
- Allowable load is the results of the ASTM E 330 tests.
- Deflection consideration is limited by a maximum deflection ratio of L/120 of span. Wind Load is permitted to be taken as 0.7 times the component and cladding load for the purpose of determining deflection limits.
- Allowable loads do not include a 1/3 stress increase in uplift.

ALLOWABLE UNIFORM LIVE LOADS, psf For various fastener spacings

ms metal sales[™]
manufacturing corporation

metalsales.us.com

Anchorage, AK 866.640.7663
Bay City, MI 888.777.7640
Deer Lake, PA 800.544.2577
Denver, CO 800.289.7663

Detroit Lakes, MN 888.594.1394
Fontana, CA 800.782.7953
Fort Smith, AR 877.452.3915
Independence, MO 800.747.0012

Jacksonville, FL 800.394.4419
Jefferson, OH 800.321.5833
Mocksville, NC 800.228.6119
Nashville, TN 800.251.8508
Rock Island, IL 800.747.1206
Rogers, MN 800.328.9316

Seattle, WA 800.431.3470
Sellersburg, IN 800.999.7777
Sioux Falls, SD 888.902.8320
Spokane, WA 800.572.6565
Temple, TX 800.543.4415
Woodland, CA 800.759.6019