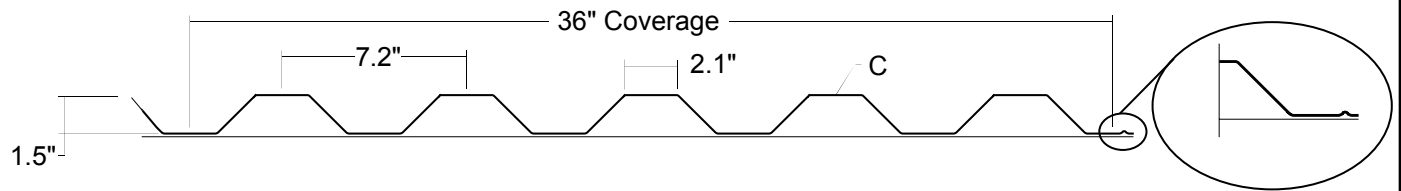


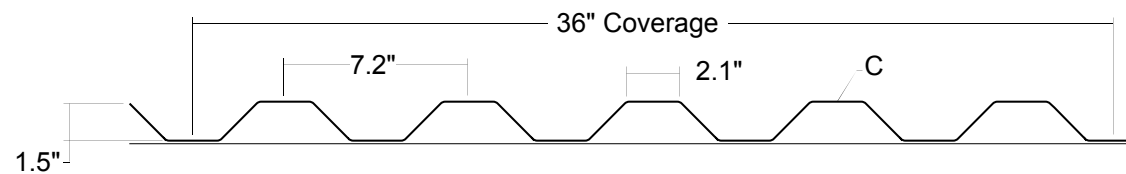
# IC72-PANEL WALL

Condensed  
Technical  
Reference

## WOODLAND PROFILE



## TYPICAL PROFILE



ARCHITECTURAL  
COMMERCIAL  
INDUSTRIAL  
PANEL

EXPOSED  
FASTENED

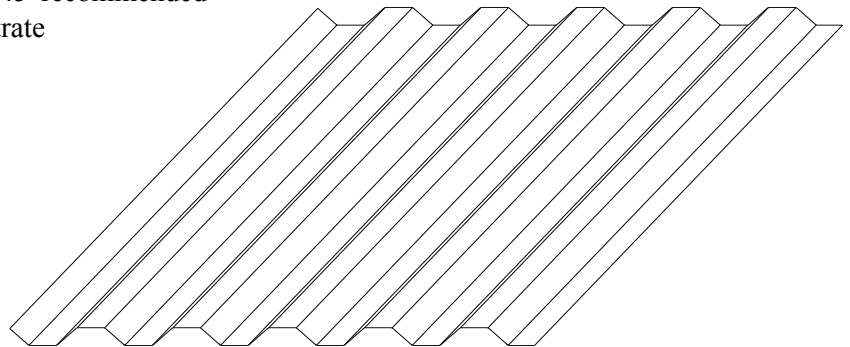
36"  
COVERAGE

WALL  
PANEL

OPEN FRAMING OR  
SOLID SUBSTRATE

## PANEL OVERVIEW

- ▶ Finishes: Standard: PVDF and Acrylic-Coated Galvalume®  
Optional: MS Colorfast45®
- ▶ Corrosion Protection: AZ55 per ASTM A 792 for unpainted Galvalume®  
AZ50 per ASTM A 792 for painted Galvalume®  
G90 per ASTM A 653 for Galvanized
- ▶ Gauges: 24 ga standard; 26 ga, 22 ga, 20 ga and 18 ga optional
- ▶ 36" panel coverage, 1½" rib height
- ▶ Panel Length: Minimum: 5'; Maximum: 45' recommended
- ▶ Applies over open framing or solid substrate
- ▶ Exposed fastened panel
- ▶ Trapezoidal ribs on 7.2" centers
- ▶ Optional material: Aluminum



## TESTING AND APPROVALS

- ▶ UL 2218 Impact Resistance - Class 4
- ▶ UL 263 Fire Resistance Rating - per assembly
- ▶ ASTM E 283 Air Leakage - 0.0148 cfm/ft² at 12 psf \*
- ▶ ASTM E 331 Water Penetration - none at 6.24 psf\*
- ▶ ASTM E 330 Structural Performance
- ▶ ASTM E 1592 Structural Performance

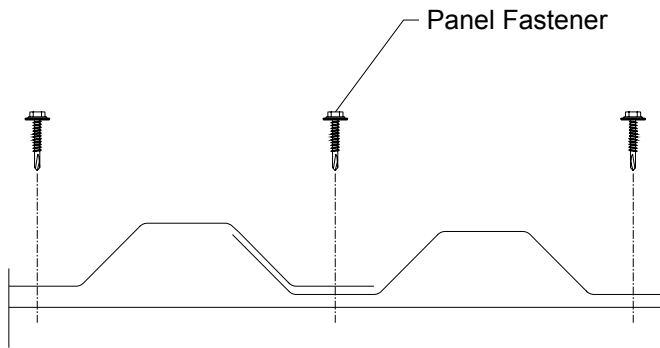
\* uses Tape Sealant and Stitch Screws 1' oc in Side Lap

**ms metal sales**<sup>™</sup>  
manufacturing corporation

# IC72-PANEL WALL

**Condensed  
Technical  
Reference**

## ATTACHMENT DETAIL



## FASTENER INFORMATION

Overdriven fasteners will cause panel distortions.

Fasteners should extend 1/2" or more past the inside face of the support material.

Thick panels (ex. 18 ga) or supports (ex. 1/2" steel) may require predrilling of holes for screws.

Panel Fasteners:

Attaching to Wood:

#10-14 XL Wood Screw

Attaching to Steel:

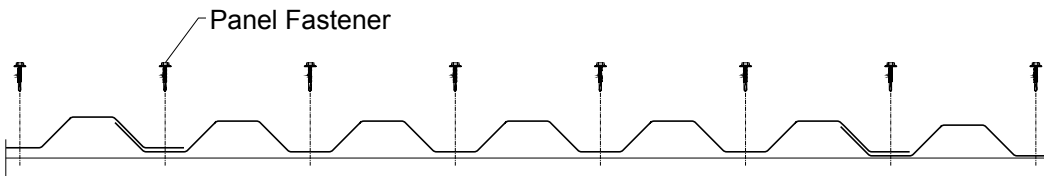
≤12 ga: #12-14 XL Driller

Trim Fasteners:

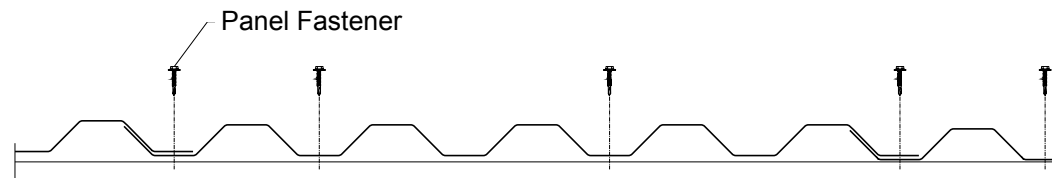
1/4"-14 x 7/8" XL Stitch Screw

## FASTENING PATTERNS

### END OF PANEL



### FIELD OF PANEL



## SECTION PROPERTIES

## ALLOWABLE UNIFORM LOADS, psf For various fastener spacings

| Ga | Width<br>in | Yield<br>ksi | Weight<br>psf | SECTION PROPERTIES         |                            |                            |                            | ALLOWABLE UNIFORM LOADS, psf<br>For various fastener spacings |     |     |    |    |              |     |     |     |    |    |     |
|----|-------------|--------------|---------------|----------------------------|----------------------------|----------------------------|----------------------------|---|-----|-----|----|----|--------------|-----|-----|-----|----|----|-----|
|    |             |              |               | Top In Compression         |                            | Bottom In Compression      |                            | Inward Load   |     |     |    |    | Outward Load |     |     |     |    |    |     |
|    |             |              |               | Ixx<br>in <sup>4</sup> /ft | Sxx<br>in <sup>3</sup> /ft | Ixx<br>in <sup>4</sup> /ft | Sxx<br>in <sup>3</sup> /ft | 5'  | 6'  | 7'  | 8' | 9' | 10'          | 5'  | 6'  | 7'  | 8' | 9' | 10' |
| 26 | 36          | 50           | 0.88          | 0.0653                     | 0.0678                     | 0.0667                     | 0.0748                     | 65  | 46  | 34  | 26 | 21 | 16           | 59  | 42  | 31  | 24 | 19 | 16  |
| 24 | 36          | 50           | 1.15          | 0.0977                     | 0.1082                     | 0.0953                     | 0.1122                     | 101   | 71  | 52  | 40 | 29 | 21           | 98  | 69  | 51  | 39 | 29 | 21  |
| 22 | 36          | 50           | 1.51          | 0.1367                     | 0.1562                     | 0.1333                     | 0.1623                     | 148   | 104 | 76  | 54 | 38 | 28           | 143 | 100 | 74  | 54 | 38 | 28  |
| 20 | 36          | 33           | 1.85          | 0.1867                     | 0.2227                     | 0.1833                     | 0.2320                     | 140   | 98  | 72  | 55 | 44 | 34           | 135 | 94  | 69  | 53 | 42 | 34  |
| 18 | 36          | 33           | 2.45          | 0.2633                     | 0.3230                     | 0.2567                     | 0.3253                     | 196   | 137 | 101 | 78 | 61 | 45           | 195 | 136 | 100 | 77 | 61 | 45  |

- Theoretical section properties have been calculated per AISI 2012 'North American Specification for the Design of Cold-Formed Steel Structural Members'. Ixx and Sxx are effective section properties for deflection and bending.
- Allowable load is calculated in accordance with AISI 2012 specifications considering bending, shear, combined bending and shear and deflection. Allowable load considers the 3 or more equal spans condition. Allowable load does not address web crippling, fasteners, support material or load testing. Panel weight is not considered.
- Deflection consideration is limited by a maximum deflection ratio of L/180 of span.
- Allowable loads do not include a 1/3 stress increase for wind.

**ms metal sales**  
manufacturing corporation

[metalsales.us.com](http://metalsales.us.com)

Anchorage, AK 866.640.7663  
Bay City, MI 888.777.7640  
Deer Lake, PA 800.544.2577  
Denver, CO 800.289.7663

Detroit Lakes, MN 888.594.1394  
Fontana, CA 800.782.7953  
Fort Smith, AR 877.452.3915  
Independence, MO 800.747.0012

Jacksonville, FL 800.394.4419  
Jefferson, OH 800.321.5833  
Mocksville, NC 800.228.6119  
Nashville, TN 800.251.8508  
Rock Island, IL 800.747.1206  
Rogers, MN 800.328.9316

Seattle, WA 800.431.3470  
Sellersburg, IN 800.999.7777  
Sioux Falls, SD 888.902.8320  
Spokane, WA 800.572.6565  
Temple, TX 800.543.4415  
Woodland, CA 800.759.6019