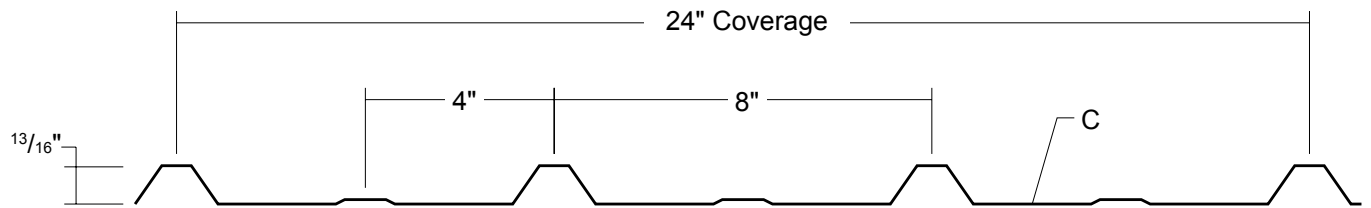


# DELTA RIB

Condensed  
Technical  
Reference



AGRICULTURAL  
RESIDENTIAL  
PANEL

DIRECT  
FASTENED

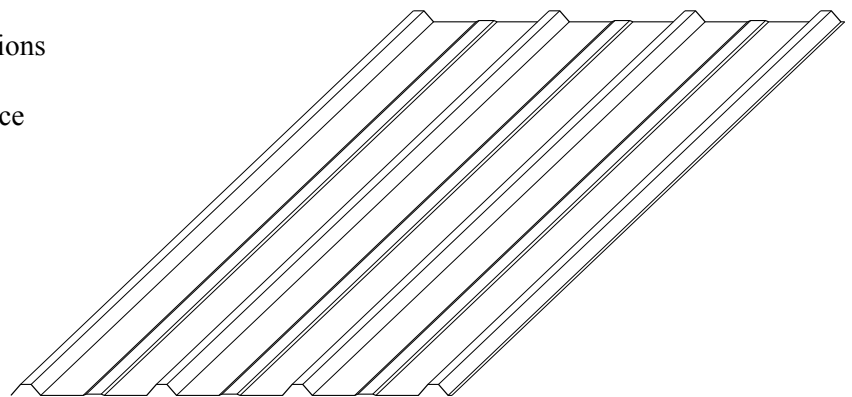
24\"  
COVERAGE

MINIMUM  
SLOPE  
3:12

OPEN FRAMING OR  
SOLID SUBSTRATE

## PANEL OVERVIEW

- ▶ Finishes: MS Colorfast45<sup>®</sup> and Acrylic-Coated Galvalume<sup>®</sup>
- ▶ Corrosion Protection: AZ55 per ASTM A 792 for unpainted Galvalume<sup>®</sup>  
AZ50 per ASTM A 792 for painted Galvalume<sup>®</sup>  
G90 per ASTM A 653 for Galvanized
- ▶ Gauges: 26 ga standard; 29 ga and 24 ga optional
- ▶ 24\" panel coverage, 13/16\" rib height
- ▶ Panel Length: Minimum: 5'; Maximum: 40' recommended
- ▶ Trapezoidal ribs on 8\" centers
- ▶ Applies to open framing or solid substrate
- ▶ Minimum roof slope: 3:12
- ▶ Residential and Agricultural applications
- ▶ Lightweight for easy handling
- ▶ Economical and distinctive appearance



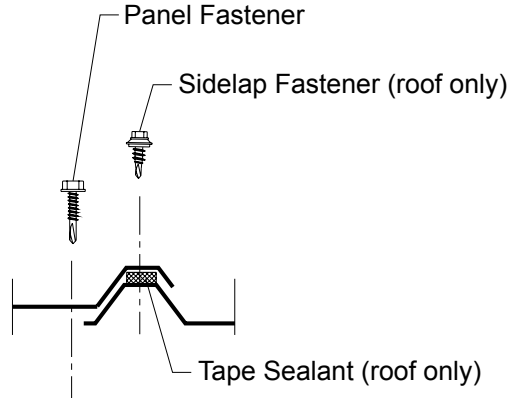
## TESTING AND APPROVALS

- ▶ UL 2218 Impact Resistance - Class 4
- ▶ UL 790 Fire Resistance Rating - Class A, per building code
- ▶ UL 263 Fire Resistance Rating - per assembly

**ms metal sales**<sup>™</sup>  
manufacturing corporation

# DELTA RIB

### ATTACHMENT DETAIL



### FASTENER INFORMATION

Overdriven fasteners will cause panel distortions.

Fasteners should extend 1/2" or more past the inside face of the support material.

Panel Fasteners:

Attaching to Wood:

#10-14 Wood Screw

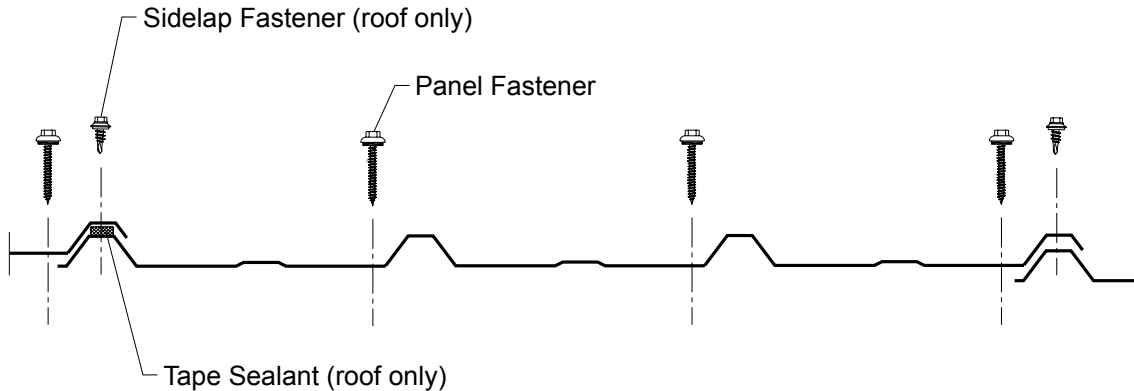
Attaching to Steel:

<=12 ga: #12-14 Self Driller

Trim and Sidelap Fasteners:

1/4"-14 x 7/8" Stitch Screw

### FASTENING PATTERN



### SECTION PROPERTIES

### ALLOWABLE UNIFORM LOADS, psf For various fastener spacings

Ga	Width in	Yield ksi	Weight psf	Top In Compression				Bottom In Compression				Inward Load						Outward Load					
				Ixx in <sup>4</sup> /ft		Sxx in <sup>3</sup> /ft		Ixx in <sup>4</sup> /ft		Sxx in <sup>3</sup> /ft		3'	3.5'	4'	4.5'	5'	6'	3'	3.5'	4'	4.5'	5'	6'
				Ixx in <sup>4</sup> /ft	Sxx in <sup>3</sup> /ft	Ixx in <sup>4</sup> /ft	Sxx in <sup>3</sup> /ft																
29	24	80	0.64	0.0115	0.0193	0.0100	0.0228	67	50	37	29	19	11	58	43	33	26	19	11				
26	24	80	0.82	0.0165	0.0283	0.0135	0.0295	89	66	48	34	25	14	86	64	48	34	25	14				
24	24	50	1.07	0.0230	0.0403	0.0195	0.0394	101	74	57	44	32	19	103	76	58	44	32	19				

- Theoretical section properties have been calculated per AISI 2012 'North American Specification for the Design of Cold-Formed Steel Structural Members'. Ixx and Sxx are effective section properties for deflection and bending.
- Allowable load is calculated in accordance with AISI 2012 specifications considering bending, shear, combined bending and shear and deflection. Allowable load considers the 3 or more equal spans condition. Allowable load does not address web crippling, fasteners, support material or load testing. Panel weight is not considered.
- Deflection consideration is limited by a maximum deflection ratio of L/180 of span.
- Allowable loads do not include a 1/3 stress increase for wind.